

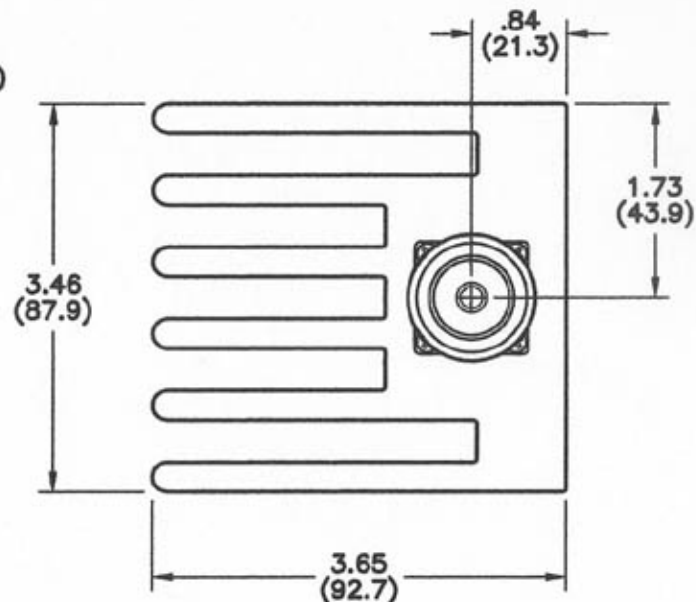
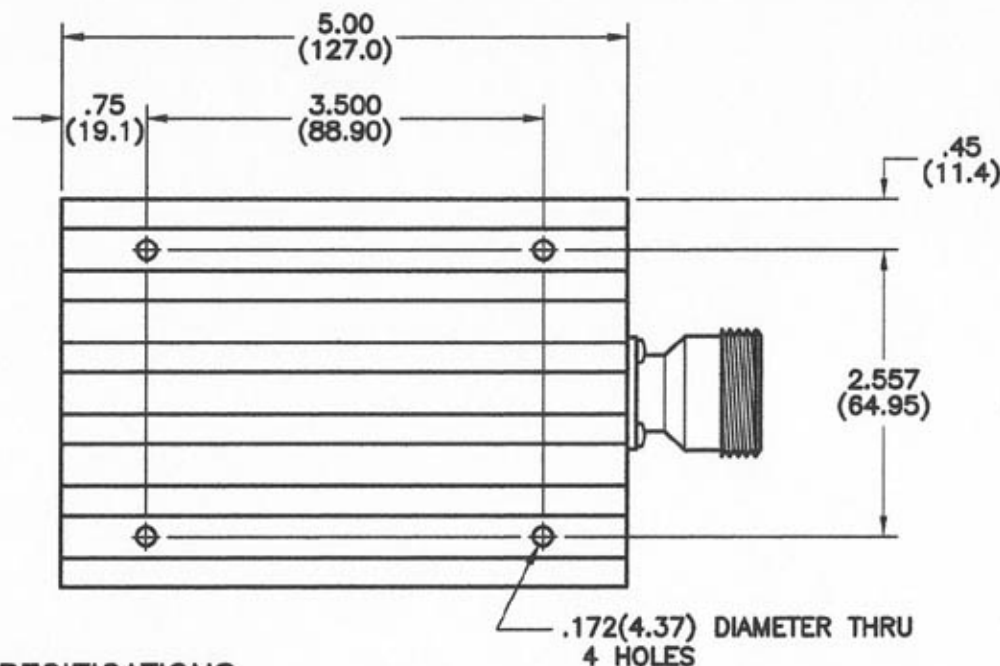
4

3

2

1

REVISIONS					
REV	ZONE	DESCRIPTION	DATE	BY	ECO
A	4A	REVISED VSWR SPECIFICATIONS	12-1-08	GVC	---



SPECIFICATIONS

FREQUENCY RANGE - DC TO 6.0 GHz

IMPEDANCE - 50 OHMS

VSWR (DC - 2.0 GHz) - 1.20:1

(2.0 - 4.0 GHz) - 1.35:1

(4.0 - 6.0 GHz) - 1.40:1

INPUT POWER (AVG.) - 150 WATTS

(PEAK) - 2000 WATTS

OPERATING TEMPERATURE - -55°C TO +125°C

CONNECTOR - 7/16 DIN, MALE OR FEMALE

(FEMALE SHOWN)

DIMENSIONS: INCHES
(MILLIMETERS)

TOLERANCES

DECIMAL ± .03 FRAC ±

HOLES ± .010 ANG ±

MATERIAL

FINISH

THE INFORMATION CONTAINED IN
THIS DOCUMENT IS THE PROPERTY
OF MICROWAVE DEVICES, INC. AND
IS PROPRIETARY. IT IS NOT TO BE
COPIED OR USED FOR ANY PURPOSE
OTHER THAN AS INSTRUCTED, IN
WRITING, BY MICROWAVE DEVICES, INC.

SIGNATURES DATE

DR G.V.Cothren 8-28-08

CHK

APPD

APPD

MICROWAVE DEVICES
(RF and Microwave Components)

OUTLINE, 6150L7F-6
TERMINATION, 7/16 DIN

CAGE SIZE DRAWING NO.
60674 B 900771-1

DRAWING SCALE 1=1 SHEET 1 OF 1

CONTACT: MICROWAVE DEVICES - 1150 N. GRAHAM RD.
FRANKLIN, IN 46131 (317) 736-8833

DIMENSIONS ARE IN INCHES UNLESS
OTHERWISE SPECIFIED.

4

3

2

1